



// ONE BRAND // ONE SOURCE // ONE SYSTEM



Pulley Lagging

Our complete range of Pulley Lagging products.

Pulley Lagging

**REMA
PERFORMANCEgrip** 4

Premium pulley lagging.

REMAGRIP 7

High quality pulley lagging.

UNIGRIP 18

Pulley lagging.

UNILAG 21

Pulley lagging.

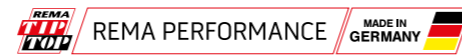
Pulley Coating 22

Questionnaire 24



PULLEY LAGGING

REMA PERFORMANCEgrip – Premium quality pulley lagging

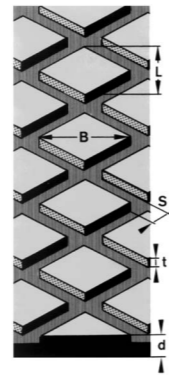


REMA PERFORMANCEgrip 70/CN – The premium pulley lagging material

REMA PERFORMANCEgrip 70/CN is more than a true all-rounder. The new premium pulley lagging material can be used as a lining material for driven and non driven pulleys in the wet as well as in the dry processing and can also withstand heaviest operating conditions. The profiling allows a high capacity for dirt absorption and in combination with excellent abrasion resistance and improved elongation to break, long service life is achieved. REMA PERFORMANCEgrip 70/CN is suitable for high tension and critical pulley applications.



REMA PERFORMANCEgrip 70/CN



Properties

- Reduces slippage between belt and pulley
- Improves and stabilizes coefficient of friction
- Evacuation of moisture and dirt
- Protects the pulley from wear and corrosion
- Prevents material build-up
- Positive influence on belt tracking
- Deep grooving to handle large amounts of dirt and provide long operating life

- Simple and easy bond with CN-bonding layer
- Improved abrasion
- Improved elongation at break

Area of application

- Grooved rubber lagging for drive pulleys
- Long belt conveyors
- Large pulley diameters (from 800 mm)
- For high-tension fabric and steelcord belts of all strengths

REMA PERFORMANCEgrip 70/CN

Specifications

Polymer basis	NR/BR	DIN ISO 1629
Specific weight	1.12 g/cm ³	DIN EN ISO 1183-1
Hardness	65 Shore A	DIN ISO 7619-1
Profile	8 x 6 or 10 x 8 (Profile 50)	
Colour	Black	

Ref. No.	Designation	Dimensions	Profile	Weight
521 0407	REMA PERFORMANCEgrip 70/CN	10 x 2 000 x 10 000 mm	8 x 6 mm	10.20 kg/m ²
521 0410	REMA PERFORMANCEgrip 70/CN	12 x 2 000 x 10 000 mm	8 x 6 mm	12.30 kg/m ²
521 0412	REMA PERFORMANCEgrip 70/CN	15 x 2 000 x 10 000 mm	8 x 6 mm	15.86 kg/m ²
521 0417	REMA PERFORMANCEgrip 70/CN	15 x 2 000 x 10 000 mm	10 x 8 mm	14.40 kg/m ²
521 0422	REMA PERFORMANCEgrip 70/CN	20 x 2 000 x 10 000 mm	10 x 8 mm	20.33 kg/m ²

PULLEY LAGGING

REMA PERFORMANCEgrip – Premium quality pulley lagging

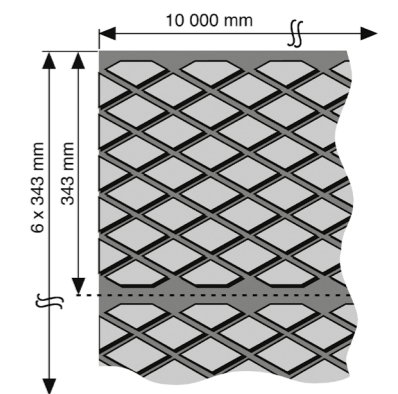


REMA PERFORMANCEgrip 70/CN-SL – The premium strip lagging

REMA PERFORMANCEgrip 70/CN - SL with excellent abrasion resistance, the values of improved elongation to break and effective evacuation of water, moisture and dirt. Its deep diamond profile and additional longitudinal grooves protect drums effectively and ensure stability in conveyor belt operation. The 343 millimeter width of the flooring strips can be flexibly cut to fit any drum width - both in the workshop and directly on site.



REMA PERFORMANCEgrip 70/CN - SL strip lagging



Properties

- REMA PERFORMANCEgrip 70/CN-SL premium quality with high abrasion resistance
- Reduces slippage between belt and pulley
- Improves and stabilizes coefficient of friction
- Evacuation of moisture and dirt
- Protects the pulley from wear and corrosion
- Prevents material build-up
- Positive influence on belt tracking
- Deep grooving to handle large amounts of dirt and provide long operating life
- Simple and easy to bond with CN-Bonding layer
- Improved abrasion

- Improved elongation at break
- Easy to cut to size with REMA TIP TOP rubber cutting device Type 32 and attachment

Area of application

- Grooved rubber lagging for drive pulleys
- Long belt conveyors
- Large pulley diameters (from 800 mm)
- For high-tension fabric and steel cordbelts of all strengths
- Pulley width up to 10.000 mm without circumferential seam
- No loss when cutting to individual pulley width
- Joint sealing with the well-proven T2-System

REMAGRIP 70/CN - SL strip lagging

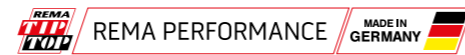
Can be cut to size for strip lagging of the pulley (also on the equipment). Easy to cut to size with rubber cutting device Type 32 and attachment.

Specifications

Polymer basis	NR/BR	DIN ISO 1629
Specific weight	1.12 g/cm ³	DIN EN ISO 1183-1
Hardness	65 Shore A	DIN ISO 7619-1
Profile	8 x 6 mm (Profile 50)	
Colour	Black	

PULLEY LAGGING

REMA PERFORMANCEgrip – Premium quality pulley lagging



REMA PERFORMANCEgrip 70/CN-SL – The premium strip lagging

Ref. No.	Designation	Dimensions
	REMA PERFORMANCEgrip 70/CN SL	10 x 343 x 10 000mm
	REMA PERFORMANCEgrip 70/CN SL	12 x 343 x 10 000mm
	REMA PERFORMANCEgrip 70/CN SL	15 x 343 x 10 000mm
	REMA PERFORMANCEgrip 70/CN SL	20 x 343 x 10 000mm
521 0306	REMA PERFORMANCEgrip 70/CN - SL	10 x 2060 x 10 000 mm
521 0309	REMA PERFORMANCEgrip 70/CN - SL	12 x 2 060 x 10 000 mm
521 0311	REMA PERFORMANCEgrip 70/CN - SL	15 x 2 060 x 10 000 mm
521 0316	REMA PERFORMANCEgrip 70/CN - SL	20 x 2 060 x 10 000 mm

PULLEY LAGGING

REMAGRIP – High-quality pulley lagging

REMAGRIP 50 – The universal lagging with high elasticity

REMAGRIP 50 has been designed for a variety of wet or dry applications and can be universally applied as a lagging for drive pulleys for low to medium-loaded fabric belts. Thanks to its excellent elasticity, REMAGRIP 50 also features excellent qualities for eliminating material build-up (also for non-driven pulleys).



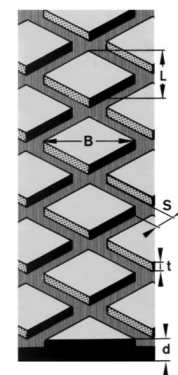
REMAGRIP 50

Properties

- Highly elastic, soft lagging for drive pulleys
- Reduces slippage between belt and pulley
- Improves and stabilizes coefficient of friction
- Evacuation of moisture and dirt
- Protects the pulley against wear and corrosion
- Prevents material build-up
- Positive influence on belt tracking
- Excellent self-cleaning properties
- CN bonding layer provides fast and good adhesion

Area of application

- Grooved rubber lagging for drive pulleys
- For low to medium-loaded fabric belts
- For short belt conveyers or small pulley diameters (up to 800 mm)



REMAGRIP 50
B = 35 mm
L = 18 mm
S = 6 mm
t = 3 mm
d = 8/10/12 mm

REMAGRIP 50/CN

Specifications

Polymer basis	NR	DIN ISO 1629
Specific weight	1.11 g/cm ³	DIN EN ISO 1183-1
Hardness	51 Shore A	DIN ISO 7619-1
Profile	18 x 6 x 3 mm (Profile 20)	
Colour	Orange*	

Ref. No.	Designation	Dimensions	Weight
549 4548	REMAGRIP 50/CN	8 x 2 000 x 10 000 mm	8.56 kg/m ²
549 4605	REMAGRIP 50/CN	10 x 2 000 x 10 000 mm	10.60 kg/m ²
549 4667	REMAGRIP 50/CN	12 x 2 000 x 10 000 mm	12.72 kg/m ²

*Please note that this is a product based on natural rubber and therefore variations in color may occur.

PULLEY LAGGING
 REMAGRIP – High-quality pulley lagging

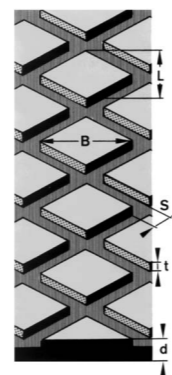
REMAGRIP 60 WHITE OIL FOOD – The oil and grease resistant universal lagging with high wear resistance for food contact

REMAGRIP 60 WHITE OIL FOOD can be applied as a lagging for drive pulleys for a variety of wet or dry applications. It fulfills the requirements for food contact and can be safely applied in any systems with hygiene requirements in accordance with:

- Federal Institute for Risk Assessment, Recommendations on Food Contact Materials XXI, Cat. 3+4 (Germany)
- Regulation (EU) No. 1935/2004
- FDA Regulation No. 21 CFR 177.2600
- Required adhesive system for food contact: CEMENT SC 4000 white/HARDENER E-40 or CEMENT SC 2000 white/HARDENER ER-42 FDA Regulation No. 21 CFR 177.2600



REMAGRIP 60 WHITE OIL FOOD



REMAGRIP 60
 B = 35 mm
 L = 18 mm
 S = 6 mm
 t = 3 mm
 d = 10/12 mm

Properties

- Oil and grease resistant REMAGRIP 60 premium quality
- Food quality
- Reduces slippage between belt and pulley
- Improves and stabilizes coefficient of friction
- Evacuation of moisture and dirt
- Protects the pulley against wear and corrosion
- Prevents material build-up
- Positive influence on belt tracking
- CN bonding layer provides fast and good adhesion

Area of application

- Grooved rubber lagging for drive pulleys
- For low to medium-loaded fabric belts
- Small pulley diameters (up to 800 mm)

REMAGRIP 60 WHITE OIL FOOD/CN

Specifications

Polymer basis	NBR	DIN ISO 1629
Specific weight	1.22 g/cm ³	DIN EN ISO 1183-1
Hardness	56 Shore A	DIN ISO 7619-1
Profile	18 x 6 x 3 mm (Profile 20)	
Farbe	White	

Ref. No.	Designation	Dimensions	Weight
549 5468	REMAGRIP 60 WHITE OIL FOOD/CN	8 x 2 000 x 10 000 mm	8.72 kg/m ²
549 5477	REMAGRIP 60 WHITE OIL FOOD/CN	10 x 2 000 x 10 000 mm	11.20 kg/m ²

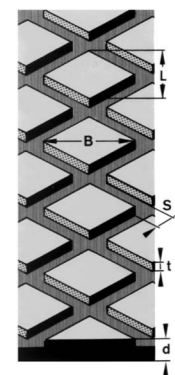
PULLEY LAGGING
 REMAGRIP – High-quality pulley lagging

REMAGRIP 70 – The universal lagging for heavy-duty operating conditions

REMAGRIP 70 has been designed for a variety of wet or dry applications and can be universally applied as a lagging for driven pulleys for heavy-loaded fabric and steelcord belts. REMAGRIP 70 offers optimum abrasion resistance, the deep grooving enables to handle large amounts of dirt and provides long operating life.



REMAGRIP 70



REMAGRIP 70
 8 x 6:
 B = 86 mm
 L = 50 mm
 S = 8 mm
 t = 6 mm
 d = 10/12/15 mm
 10 x 8:
 B = 86 mm
 L = 50 mm
 S = 10 mm
 t = 8 mm
 d = 15/20 mm

Properties

- Reduces slippage between belt and pulley
- Improves and stabilizes coefficient of friction
- Evacuation of moisture and dirt
- Protects the pulley from wear and corrosion
- Prevents material build-up
- Positive influence on belt tracking
- Deep grooving to handle large amounts of dirt and provide long operating life
- CN bonding layer provides fast and good adhesion

Area of application

- Grooved rubber lagging for drive pulleys
- Long belt conveyors
- Large pulley diameters (from 800 mm)
- For high-tension fabric and steelcord belts of all strengths

REMAGRIP 70/CN

Specifications

Polymer basis	BR/IR/SBR	DIN ISO 1629
Specific weight	1.12 g/cm ³	DIN EN ISO 1183-1
Hardness	64 Shore A	DIN ISO 7619-1
Profile	8 x 6 oder 10 x 8 (Profile 50)	
Colour	Black	

Ref. No.	Designation	Dimensions	Profile	Weight
549 5798	REMAGRIP 70/CN	10 x 2 000 x 10 000 mm	8 x 6 mm	10.20 kg/m ²
549 5805	REMAGRIP 70/CN	12 x 2 000 x 10 000 mm	8 x 6 mm	12.30 kg/m ²
549 5817	REMAGRIP 70/CN	15 x 2 000 x 10 000 mm	8 x 6 mm	15.86 kg/m ²
549 5824	REMAGRIP 70/CN	15 x 2 000 x 10 000 mm	10 x 8 mm	14.40 kg/m ²
549 5831	REMAGRIP 70/CN	20 x 2 000 x 10 000 mm	10 x 8 mm	20.33 kg/m ²

PULLEY LAGGING
 REMAGRIP – High-quality pulley lagging

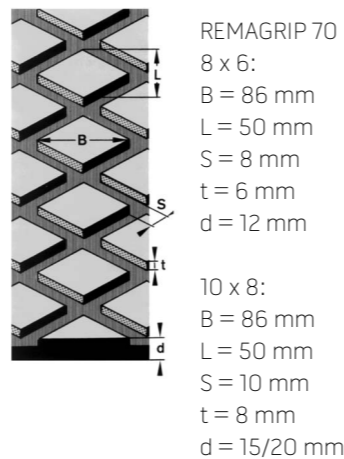
REMAGRIP 70 V – The self-extinguishing universal lagging for heavy-duty operating conditions

REMAGRIP 70 V is self-extinguishing and antistatic. It has been specially designed for challenging ATEX operating conditions with high fire regulation or potentially explosive environments such as coal mines or power plants for example.

Required adhesive system for antistatic rubber coatings:
 PRIMER PR 200 and CEMENT SC 4000 black/HARDENER ER-42 or
 CEMENT SC 2000 black/HARDENER UT-R 20.
 German underground approval: LOBA No. 18.43.21-89-33
 Polish underground approval: Dopuszczenie WUG Katowice No. B/1724/IV/2016



REMAGRIP 70 V



Properties

- Self-extinguishing, antistatic REMAGRIP 70 premium quality
- Moderate oil resistant
- Reduces slippage between belt and pulley
- Improves and stabilizes coefficient of friction
- Evacuation of moisture and dirt
- Protects the pulley from wear and corrosion
- Prevents material build-up
- Positive influence on belt tracking

- Deep grooving to handle large amounts of dirt and provide long operating life
- CN bonding layer provides fast and good adhesion

Area of application

- Grooved rubber lagging for drive pulleys
- Long belt conveyors
- Large pulley diameters (from 800 mm)
- For high-tension fabric and steel cord belts of all strengths

REMAGRIP 70 V/CN

Specifications

Polymer basis	CR	DIN ISO 1629
Specific weight	1.39 g/cm ³	DIN EN ISO 1183-1
Hardness	60 Shore A	DIN ISO 7619-1
Electric resistance	Antistatic*	
Inflammability	Self-extinguishing**	
CN bonding layer	Conductive, black	
Profile	8 x 6 oder 10 x 8 (Profile 50)	
Colour	Black	

Ref. No.	Designation	Dimensions	Profile	Weight
549 5853	REMAGRIP 70 V/CN	12 x 2 000 x 10 000 mm	8 x 6 mm	15.20 kg/m ²
549 5876	REMAGRIP 70 V/CN	15 x 2 000 x 10 000 mm	10 x 8 mm	18.48 kg/m ²
549 5886	REMAGRIP 70 V/CN	20 x 2 000 x 10 000 mm	10 x 8 mm	25.69 kg/m ²

* Surface and volume resistivity < 1 x 10⁶ Ohm, tested in accordance with DIN EN ISO 284, DIN IEC 93.
 **Fulfills DIN 22100-7 safety requirements (fire safety, hygiene, electrical).

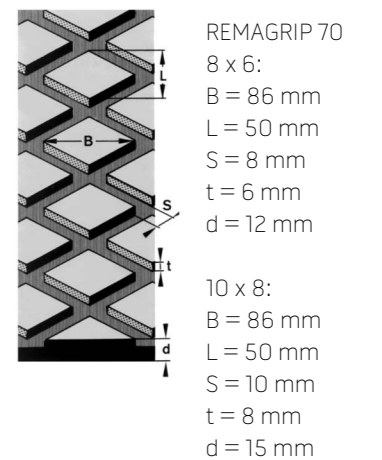
PULLEY LAGGING
 REMAGRIP – High-quality pulley lagging

REMAGRIP 70 HR – The heat resistant universal lagging for heavy-duty operating conditions

REMAGRIP 70 HR has been specially designed as a lagging for drive pulleys in challenging operating conditions with high-temperature environments. It is able to withstand a continuous thermal stress of 90°C and even short-term stresses of 110°C. Recommended adhesive system for heat resistant rubber lagging: PRIMER PR 200 and CEMENT PERFORMANCE 140 HT with HARDENER PERFORMANCE 140 HT.



REMAGRIP 70 HR



Properties

- Heat resistant REMAGRIP 70 premium quality
- Reduces slippage between belt and pulley
- Improves and stabilizes coefficient of friction
- Evacuation of moisture and dirt
- Protects the pulley from wear and corrosion
- Prevents material build-up
- Positive influence on belt tracking
- Deep grooving to handle large amounts of dirt and provide long operating life
- CN bonding layer provides fast and good adhesion

Area of application

- Grooved rubber lagging for drive pulleys
- Long belt conveyors
- Large pulley diameters (from 800 mm)
- For high-tension fabric and steel cord belts of all strengths

REMAGRIP 70 HR/CN

Specifications

Polymer basis	BR/IR	DIN ISO 1629
Specific weight	1.11 g/cm ³	DIN EN ISO 1183-1
Hardness	60 Shore A	DIN ISO 7619-1
Profile	8 x 6 oder 10 x 8 (Profile 50)	
Max. temperature	up to 90 °C, short peaks up to 110 °C	
Colour	Black	

Ref. No.	Designation	Dimensions	Profile	Weight
549 5958	REMAGRIP 70 HR/CN	12 x 2 000 x 10 000 mm	8 x 6 mm	12.20 kg/m ²
549 5972	REMAGRIP 70 HR/CN	15 x 2 000 x 10 000 mm	10 x 8 mm	14.05 kg/m ²

PULLEY LAGGING
 REMAGRIP – High-quality pulley lagging

REMAGRIP 100 – The lagging for extremely wet operating conditions

REMAGRIP 100 has been specially designed as a lagging for drive pulleys in extremely wet operating conditions. REMAGRIP 100 offers optimum abrasion resistance, the knobbed surface enables to handle extreme environments such as wet operating conditions, clay or other smeary materials.



REMAGRIP 100

Properties

- Excellent self-cleaning properties
- Good belt tracking even in extremely wet conditions and where there's increased risk of slippage
- Superior wear resistance
- CN bonding layer provides fast and good adhesion

Area of application

- REMAGRIP 100 for lagging of drive pulleys for light belt conveyors (up to EP 630)
- REMAGRIP 100 HD (heavy-duty) also for medium belt conveyors (up to EP 1250)
- Extremely difficult operating conditions (such as extremely wet conditions, clay or other smeary materials)

REMAGRIP 100/CN

Specifications

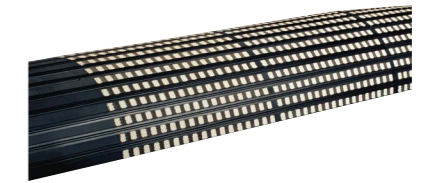
Polymer basis	NR/BR	DIN ISO 1629
Specific weight	1.09 g/cm ³	DIN EN ISO 1183-1
Hardness	63 Shore A	DIN ISO 7619-1
Colour	Black	

Ref. No.	Designation	Dimensions	Knob height
539 4340	REMAGRIP 100/CN, Round knob shape	12 x 1 470 x 2 560 mm	6 mm
539 4333	REMAGRIP 100 HD/CN, Oval knob shape	18 x 300 x 2 400 mm	7 mm

PULLEY LAGGING
 REMAGRIP – High-quality pulley lagging

REMAGRIP CK-X – The premium quality for extreme conditions

The "knobly" surface of the ceramic tiles provides optimum grip on pulleys subject to high stress. Ceramic material is suitable for pulley lagging, thanks chiefly to its specific properties of extremely high wear resistance provided by aluminium oxide (Al₂O₃). It replaces traditional materials, because it provides higher profitability by considerably increasing the service life and the efficiency of pulley laggings.



REMAGRIP CK-X

Properties

- Vulcanised Al₂O₃ ceramic tiles
- Single-row ceramic, with knobs
- Highly resistant to wear
- Elastic base made of REMALINE 70 or REMALINE 70 V protects the belt

- Simple and durable affixing with REMA TIP TOP bonding systems

Area of application

- Pulley lagging for pulleys operating under extreme conditions
- For wet, clay-containing, muddy and

- abrasive materials
- Also for belts under very high tension
- Especially suitable for drive pulleys subjected to extreme wear (CK-X)

REMAGRIP CK-X

Al₂O₃ ceramic with knobbed surface.

Specifications

Polymer basis	NR/BR/SBR	DIN ISO 1629
Specific weight	1.12 g/cm ³	DIN EN ISO 1183-1
Hardness	62 Shore A	DIN ISO 7619-1
Colour	Black	

Ref. No.	Designation	Dimensions	Width of ceramic area	For belt width
539 7172	REMAGRIP CK-X 40	15 x 500 x 1 250 mm	840 mm	800 mm
539 6990	REMAGRIP CK-X 40 FS	15 x 500 x 1 250 mm	920 mm	900 mm
539 6980	REMAGRIP CK-X 45	15 x 500 x 1 500 mm	1 100 mm	1 000 mm
539 7165	REMAGRIP CK-X 50	15 x 500 x 1 600 mm	1 200 mm	1 200 mm
539 6960	REMAGRIP CK-X 50 FS	15 x 500 x 1 600 mm	1 450 mm	1 400 mm
539 7230	REMAGRIP CK-X 60	15 x 500 x 1 900 mm	1 610 mm	1 500 mm
539 7158	REMAGRIP CK-X 70	15 x 500 x 2 100 mm	1 720 mm	1 600 mm
539 7100	REMAGRIP CK-X 70 FS	15 x 500 x 2 100 mm	2 060 mm	2 000 mm
539 6950	REMAGRIP CK-X 75	15 x 500 x 2 300 mm	1 880 mm	1 800 mm
539 7141	REMAGRIP CK-X 90	15 x 500 x 2 500 mm	2 060 mm	2 000 mm
539 7270	REMAGRIP CK-X 90 FS	15 x 500 x 2 500 mm	2 420 mm	2 400 mm
539 6930	REMAGRIP CK-X 110	15 x 500 x 2 880 mm	2 420 mm	2 400 mm
539 7080	REMAGRIP CK-X 125 FS	15 x 500 x 3 250 mm	3 100 mm	3 000 mm

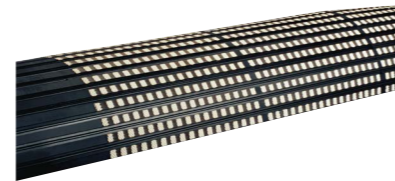
PULLEY LAGGING
 REMAGRIP – High-quality pulley lagging

REAGRIP CK-X V

REAGRIP CK-X V is self-extinguishing, antistatic and moderate oil resistant. It has been specially designed for ATEX operating conditions with high fire regulation or potentially explosive environments such as coal mines or power plants for example.

Required adhesive system for antistatic rubber coatings:
 PRIMER PR 200 and CEMENT SC 4000 black/HARDENER ER-42 or
 CEMENT SC 2000 black/HARDENER UT-R 20.

German underground approval: LOBA No. 18.43.21-89-33
 Polish underground approval: Dopuszczenie WUG Katowice No. B/1724/IV/2016



REAGRIP CK-X V

Specifications

Polymer basis	CR	DIN ISO 1629
Specific weight	1.39 g/cm ³	DIN EN ISO 1183-1
Hardness	60 Shore A	DIN ISO 7619-1
Electric resistance	Antistatic*	
Inflammability	Self-extinguishing**	
CN bonding layer	Conductive, black	
Colour	Black	

Ref. No.	Designation	Dimensions	Width of ceramic area	For belt width
539 7250	REAGRIP CK-X 50 V	15 x 500 x 1 600 mm	1 200 mm	1 200 mm
539 7070	REAGRIP CK-X 60 V	15 x 500 x 1 900 mm	1 610 mm	1 500 mm
539 7260	REAGRIP CK-X 70 V	15 x 500 x 2 100 mm	1 720 mm	1 600 mm
539 7220	REAGRIP CK-X 90 V	15 x 500 x 2 500 mm	2 060 mm	2 000 mm

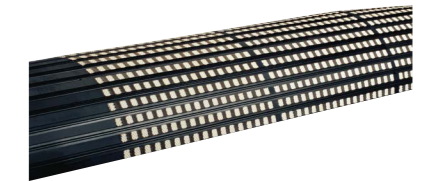
* Surface and volume resistivity < 1 x 10⁶ Ohm, tested in accordance with DIN EN ISO 284, DIN IEC 93.

**Fulfills DIN 22100-7 safety requirements (fire safety, hygiene, electrical).

PULLEY LAGGING
 REMAGRIP – High-quality pulley lagging

REAGRIP CK-X HD (Heavy Duty) – For continuous grip under heavy-duty conditions

CK-X pulley lagging with 20 mm total lagging thickness. The thicker rubber matrix of REMAGRIP CK-X HD allows more deflection of the tiles under the belt. This property provides additional reserves with extreme belt tensions, especially in combination with fabric belts with high elongation or low cover thickness on the running side.

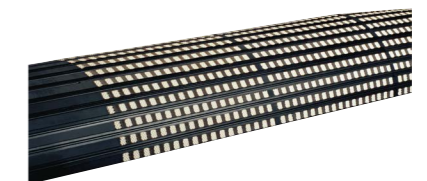


REAGRIP CK-X HD

Ref. No.	Designation	Dimensions	Width of ceramic area	For belt width
539 7167	REAGRIP CK-X 50 HD	20 x 500 x 1 600 mm	1 200 mm	1 200 mm
539 7160	REAGRIP CK-X 70 HD	20 x 500 x 2 100 mm	1 720 mm	1 600 mm
539 6955	REAGRIP CK-X 75 HD	20 x 500 x 2 300 mm	1 880 mm	1 800 mm
539 7271	REAGRIP CK-X 90 HD FS	20 x 500 x 2 500 mm	2 420 mm	2 400 mm
539 6931	REAGRIP CK-X 110 HD	20 x 500 x 2 880 mm	2 420 mm	2 400 mm

REAGRIP CK-X HDX (Extra Heavy Duty) – For continuous grip under extra heavy-duty conditions

CK-X pulley lagging with 25 mm total lagging thickness. REMAGRIP CK-X HDX is designed to maximum forces in all dimensions. Besides the even thicker rubber base (allows more deformation under the belt) REMAGRIP CK-X HDX features 11 mm thick tiles with a further improved embedding into the rubber matrix. The highly elastic rubber base is optimized for maximum dynamic performance over years. This pulley lagging allows optimum drive force transmission on highest tension belts even under extreme conditions while providing optimum protection for your conveyor belt.



REAGRIP CK-X HDX

Ref. No.	Designation	Dimensions	Width of ceramic area	For belt width
539 9440	REAGRIP CK-X 60 HDX	25 x 500 x 1 500 mm	1 610 mm	1 500 mm
539 9450	REAGRIP CK-X 70 HDX	25 x 500 x 2 100 mm	1 720 mm	1 600 mm
539 9455	REAGRIP CK-X 75 HDX	25 x 500 x 2 300 mm	1 880 mm	1 800 mm
539 9460	REAGRIP CK-X 90 HDX	25 x 500 x 2 500 mm	2 060 mm	2 000 mm
539 9480	REAGRIP CK-X 110 HDX	25 x 500 x 2 880 mm	2 420 mm	2 400 mm

PULLEY LAGGING
 REMAGRIP – High-quality pulley lagging

REMAGRIP CP-X – The benchmark for wear resistance

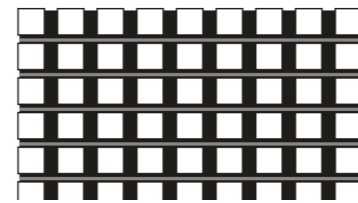
The plain surface of the ceramic tiles is highly efficient, particularly on non-drive pulleys (ranging from tail pulleys to snub pulleys) which are subject to high wear.

Properties

- Vulcanised alumina oxide (Al₂O₃) ceramic tiles
- Single-row ceramic, plain
- Highly resistant to wear
- Elastic base protects the belt
- Simple and durable affixing with REMA TIP TOP bonding systems

Area of application

- Pulley lagging for pulleys operating under extreme conditions
- For wet, clay-containing, muddy and abrasive materials
- Also for very high belt tensions
- For tail pulleys subjected to extreme wear
- For **non-powered** drums



REMAGRIP CP-X

REMAGRIP CP-X

Plain alumina oxide (Al₂O₃) ceramic.

Specifications

Polymer basis	NR/BR/SBR	DIN ISO 1629
Specific weight	1.12 g/cm ³	DIN EN ISO 1183-1
Hardness	62 Shore A	DIN ISO 7619-1
Colour	Black	

Ref. No.	Designation	Dimensions	Width of ceramic area	For belt width
539 7240	REMAGRIP CP-X 60	15 x 500 x 1 900 mm	1 600 mm	1 500 mm
539 7190	REMAGRIP CP-X 70	15 x 500 x 2 100 mm	1 720 mm	1 600 mm
539 6940	REMAGRIP CP-X 75	15 x 500 x 2 300 mm	1 880 mm	1 800 mm
539 7180	REMAGRIP CP-X 90	15 x 500 x 2 500 mm	2 060 mm	2 000 mm

Note: Available in V Quality (FRAS).

PULLEY LAGGING
 REMAGRIP – High-quality pulley lagging

Cover strip CK-X / CP-X

Properties

- CN bonding layer
- Highly elastic
- Wear-resistant

Area of application

- Superior sealing of butt joints for REMAGRIP CK-X and CP-X pulley lagging
- Especially for powdery materials or in critical climates
- Additional protection against infiltration of corrosion



522 0780

Cover strip CK-X / CP-X

Ref. No.	Designation	Dimensions	VPE
522 0780	Cover strip CK-X / CP-X	1.5 x 28 x 10 000 mm	5

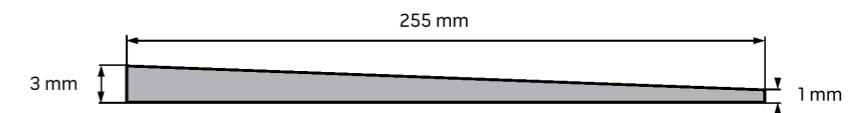
CN crowning wedge

Properties

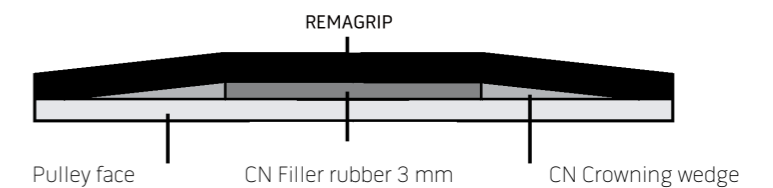
- Cost-effective crowning for pulleys
- Improves belt tracking, especially for uneven loading of the material

Area of application

- Conveyor belts with fabric plies



Pulley crowning with CN Crowning wedge and CN Filler rubber



528 5545

CN crowning wedge

Ref. No.	Designation	Dimensions
528 5545	CN crowning wedge	1/3 x 255 x 2 500 mm

PULLEY LAGGING
UNIGRIP – Pulley lagging

UNIGRIP 60

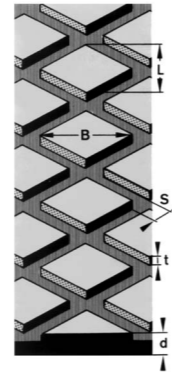
UNIGRIP 60 can be universally applied as a pulley lagging for simple applications.

Properties

- Reduces slippage between belt and pulley
- Increases and stabilizes the coefficient of friction
- Evacuation of moisture and dirt
- Protects the pulley against wear and corrosion
- Prevents material build-up
- Positive effect on tracking
- Wear-resistant material quality

Area of application

- Profile tread for drive pulleys
- For low to averagely loaded textile conveyor belts
- Small pulley diameters (up to 800 mm)



UNIGRIP 60
B = 35 mm
L = 18 mm
S = 6 mm
t = 3 mm
d = 8/10 mm

UNIGRIP 60/KS

Specifications

Polymer basis	NR/BR/SBR	DIN ISO 1629
Specific weight	1.18 g/cm ³	DIN EN ISO 1183-1
Hardness	62 Shore A	DIN ISO 7619-1
Colour	Black	

Ref. No.	Designation	Dimensions	Weight
550 3700	UNIGRIP 60/KS	8 x 2 000 x 10 000 mm	8.45 kg/m ²
550 3710	UNIGRIP 60/KS	10 x 2 000 x 10 000 mm	10.92 kg/m ²

Note: Available in FRAS (VH60).

PULLEY LAGGING
UNIGRIP – Pulley lagging

UNIGRIP 250 SL

UNIGRIP SL 250 can be universally applied as a pulley lagging for simple applications. The striplagging allows simple handling even for application in the conveyor system. The 10 meter longrolls can be cut to size for any pulley width with minimum waste.



Properties

- Reduces slippage between belt and pulley
- Increases and stabilizes the coefficient of friction
- Evacuation of moisture and dirt
- Protects the pulley against wear and corrosion
- Prevents material buildup
- Positive influence on belt tracking
- Wear-resistant material quality

Area of application

- Profile tread for drive pulleys
- For low to averagely loaded textile conveyor belts
- Small pulley diameters (up to 800 mm)

UNIGRIP SL 250/KS

Specifications

Polymer basis	NR/BR/SBR	DIN ISO 1629
Specific weight	1.15 g/cm ³	DIN EN ISO 1183-1
Hardness	62 Shore A	DIN ISO 7619-1
Colour	Black	

Ref. No.	Designation	Dimensions	Weight	Special properties*
	UNIGRIP SL 250	12 x 250 x 80 000mm		UNIGRIP VH/60 FRAS
	UNIGRIP SL 250 FRAS	12 x 250 x 10 000mm		
	UNIGRIP SL 250 FRAS	12 x 250 x 80 000mm		UNIGRIP POLYURETHANE
550 7861	UNIGRIP SL 250/KS	10 x 250 x 10 000 mm	22.7 kg/roll	
550 7872	UNIGRIP SL 250/KS	12 x 250 x 10 000 mm	28.4 kg/roll	
550 7885	UNIGRIP SL 250/KS	15 x 250 x 10 000 mm	34.1 kg/roll	

Note: Available in FRAS (VH60).

PULLEY LAGGING
UNIGRIP – Pulley lagging

UNIGRIP CR-L 385 - Standard ceramic pulley lagging material

UNIGRIP CR-L 385 is the specially-designed pulley lagging material with ceramic inserts for high wear resistance. With good performance in wet, muddy, or dry conditions, UNIGRIP CR-L 385 provide a effective solution to solve your conveyor drive problems and enhance production efficiency of the whole system.



Properties

- Eliminates belt slippage
- 45% ceramic tiles coverage provide larger contact surface between belt and ceramic
- Unique design of ceramic tiles with the raised "knob" that increases friction between conveyor belts and pulleys
- Improve the system stability Increased belt and pulley service life
- Long-term system benefits
- Belt tension can be reduced, which means lower energy consumption, lower wear of whole system and lower cost per ton
- F.R.A.S (Fire Resistant Anti Static) products available on request

Area of application

- Especially suitable for wet and muddy conditions where belt slippage occurs

Product range

- Thickness: 12 mm
- Width: 385 mm
- Length: 10 000 mm

UNIGRIP CR-L 385

Specifications

Hardness	62 shoreA	
Abrasion	150 mm3	
Colour	Black	
Content of aluminium oxide	92 %	
Open porosity	0 %	acc. to DIN EN 60 672 0
E-Module	300 GPa	acc. to DIN EN 60 672 0
Density	3,65 g/cm3	acc. to DIN EN 60 672 0

Special properties*

UNIGRIP CR-L 385 VH/60
FRAS

Note: Available in FRAS (VH60).

PULLEY LAGGING
UNILAG – Pulley lagging

UNILAG

UNILAG can be universally applied as a pulley lagging for simple applications.



Properties

- Symmetrical profile - for use in horizontal and vertical directions
- Scrap is reduced to a minimum
- Cost-efficient material
- Evacuation of moisture and dirt
- Protects the pulley against wear and corrosion
- Prevents material build-up
- Positive influence on belt tracking
- Material is wear resistant

Area of application

- Grooved rubber lagging for drive pulleys
- For low to medium-loaded fabric belts

UNILAG
D = 30 mm
t = 5 (4) mm
d = 8/10/12/15 mm

UNILAG/KS

Specifications

Polymer basis	NR/BR/SBR	DIN ISO 1629
Specific weight	1.18 g/cm³	DIN EN ISO 1183-1
Hardness	62 Shore A	DIN ISO 7619-1
Colour	Black	

Ref. No.	Designation	Dimensions	Weight
550 3636	UNILAG/KS	8 x 2 000 x 10 000 mm	6.4 kg/m²
550 3643	UNILAG/KS	10 x 2 000 x 10 000 mm	10.0 kg/m²
550 3650	UNILAG/KS	12 x 2 000 x 10 000 mm	11.64 kg/m²
550 3667	UNILAG/KS	15 x 2 000 x 10 000 mm	15.3 kg/m²

PULLEY LAGGING

Pulley Coating

Pulley coating by means of hot coating or hot casting processes enable a tailor-made protection of the pulley from wear and corrosion perfectly fitted to the particular application and operating condition.



Pulley coating with rubber by means of hot coating process

Properties

- Typical hardness: 45 - 75 Shore A
- Wear-resistant, ATEX-suitable
- Self-extinguishing or low flammability version available on request
- Pulley shape: cylindric or curved Profile shape: waffle, diamond and arrowhead pattern or round profile
- Ceramic coating: CK-X "hot", with 15, 20 or 25 mm thickness

Parameters for hot coating

Max diameter	2900 mm
Max total length	7200 mm
Max weight per piece	30 t

Pulley coating with PU by means of hot casting process

Properties

- Typical hardness: 60 - 90 Shore A
- Highly wear-resistant, notch-resistant
- Superior mechanical load capability, cut resistant
- Resists hydrolysis
- Pulley shape: cylindric or curved Profile shape: waffle, diamond and arrowhead pattern or round profile

Parameters for hot coating

Max diameter	2900 mm
Max total length	4900 mm
Max weight per piece	10 t
Content of aluminium oxide	800 kg/piece

QUESTIONNAIRE

Pulley lagging

Customer:	Contact person:
Phone:	Fax:
Address:	Country (representation):
	E-Mail:

General information on conveyor system

Manufacturer/OEM:

Maintained by:

Type of plant:

Year built:

Location	<input type="checkbox"/> Outside	<input type="checkbox"/> Roofed over	<input type="checkbox"/> Closed room	<input type="checkbox"/> Underground
Temperature	°C	Min. °C	Max. °C	
Carrying capacity	∅	t/h		
Operating times	Day	h/d	Week	d/w
Conveying direction	<input type="checkbox"/> horizontal	<input type="checkbox"/> rising	<input type="checkbox"/> falling	

Please attach pictures! If possible, attach a drawing of the conveying system!

Information on drive / If more than three drive pulleys, please record in notes

Speed	v=	m/s					
	Drive power [kW]	Pulley ∅ [mm]	Wrap angle [°]	T1 Start [kN]	T1 Running [kN]	T2 Start [kN]	T2 Running [kN]
Pulley 1:							
Pulley 2:							
Pulley 3:							
Drive on	<input type="checkbox"/> System head	<input type="checkbox"/> System foot	<input type="checkbox"/> Multiple				
Reversing operation	<input type="checkbox"/> Yes	<input type="checkbox"/> No					

Information on material being conveyed

Designation:	
Min. lump size	Max. mm
Moisture	%
Oil/grease or chemicals	<input type="checkbox"/> No <input type="checkbox"/> If yes, which kind:
Temperature	°C

Please attach pictures!

Place and date	Name	Signature
----------------	------	-----------

For detailed information, please visit rema-tiptop.com.au, contact your local REMA TIP TOP representative or email info@rema-tiptop.com.au

QUESTIONNAIRE
Pulley lagging

NOTES

Customer:	Contact person:
Phone:	Fax:
Address:	Country (representation):
	E-Mail:

Information about conveyor belt

Belt type	<input type="checkbox"/> Fabric belt	<input type="checkbox"/> Steel cord belt	<input type="checkbox"/> PVC/PVG
Manufacturer:	Designation:		
Strength:	Pretension		kN
Troughing transition	m	Belt trough	°
Dimensions	Width mm	Thickness mm	Length mm
Cover plate thickness	Running side mm	Conveying side mm	
Condition	<input type="checkbox"/> New	<input type="checkbox"/> Used	<input type="checkbox"/> Damaged
Splice type	<input type="checkbox"/> Cold	<input type="checkbox"/> Hot	<input type="checkbox"/> Mechanical

Information on pulley / If multiple drives, please record data in notes

Type of pulley	<input type="checkbox"/> Drive	<input type="checkbox"/> Bend pulley	<input type="checkbox"/> Snub pulley
Pulley width	B1 mm	B2 mm	B3 mm
Crown bow	<input type="checkbox"/> Yes	<input type="checkbox"/> Yes	<input type="checkbox"/> Yes

Old lagging

Manufacturer:	Type:			
Lagging thickness: mm	Service life:			
Problem:				
Required quality	<input type="checkbox"/> V	<input type="checkbox"/> S	<input type="checkbox"/> HR	<input type="checkbox"/> OIL
Please attach pictures!				

New lagging

Lagging thickness: mm	Type:		
Date installed:	Planned service life:		
Special quality	<input type="checkbox"/> V	<input type="checkbox"/> HR	<input type="checkbox"/> OIL
Please attach pictures!			

Notes, special details!

.....

.....

.....

Place and date	Name	Signature
----------------	------	-----------

LEGAL NOTICE

Copyright © 2020 REMA TIP TOP AG

All information is given to the best of our knowledge. All specifications are to be considered non-binding information. Any claim for damages of any kind is excluded. We reserve the right to change technical specifications without prior notice, provided that they ensure product improvement. The information presented is based on technical experience but does not guarantee a product's suitability for specific applications, and does not relieve the users of the responsibility to undertake their own testing, including where any third-party trademark rights are concerned. For special applications and operating conditions with regard to temperature, UV light, ozone, acids and alkaline solutions, dynamic and static forces, tensions, elongations and other influences, contact your local REMA TIP TOP distributor for technical advice.

Operating and working instructions, product information and general instructions on the vulcanization properties of natural and synthetic rubber should be followed carefully. The mechanical and physical values presented for our products only apply to the material listed (without bonding layer and without fabric) based on the accompanying inspections for approval; these represent statistical product data, but not guaranteed product properties. Detailed technical data sheets for each single product are available upon request. The weight indications (kg/m², kg/m, etc.) solely represent statistical values and are not necessarily identical to the actual weights. The weights indicated are merely guidelines for the handling, transport and application of our products. The dimension tolerances are based on part 5 of DIN 7715, classification P3 (admissible dimension tolerances for sheets) and DIN ISO 3302-1, classification M4 (molded parts made of soft-rubber). Other tolerances of specific products for special applications are subject to a mutual agreement and must be stipulated in a special contract. Products containing hazardous substances are labeled in accordance with the regulations (EG) No. 1907/2006 for the


classification, packaging and labeling of hazardous materials and preparations.

In order to preserve product properties, the storage conditions indicated in DIN 7716 should be followed (including storing the product in the original package and in an area that is dry, cool and dark).

Products printed in bold are normally available from stock.

Talk to our team today

 sales@rema-tiptop.com.au

 rema-tiptop.com.au



Beresfield (Head Office)

02 4935 0200
79 Elwell Close,
Beresfield, NSW 2322

Brisbane

07 3710 8833
52 Wentworth Place,
Northgate, QLD 4014

Mackay

07 4953 9100
29-33 Maggiolo Drive,
Paget, QLD 4740

Perth

08 6253 1900
102 Kurnall Road,
Welshpool, WA 6106

Dandenong

03 8786 3333
2 Venture Court,
Dandenong South, VIC 3175

Adelaide

08 8169 2850
11 Lafitte Road,
Wingfield, SA 5013

Newman

08 6253 1900
21 Pardoo Street,
Newman, WA 6753

Gladstone

07 3710 8820
3 McCabe Street,
Gladstone, QLD 4680



// ONE BRAND // ONE SOURCE // ONE SYSTEM